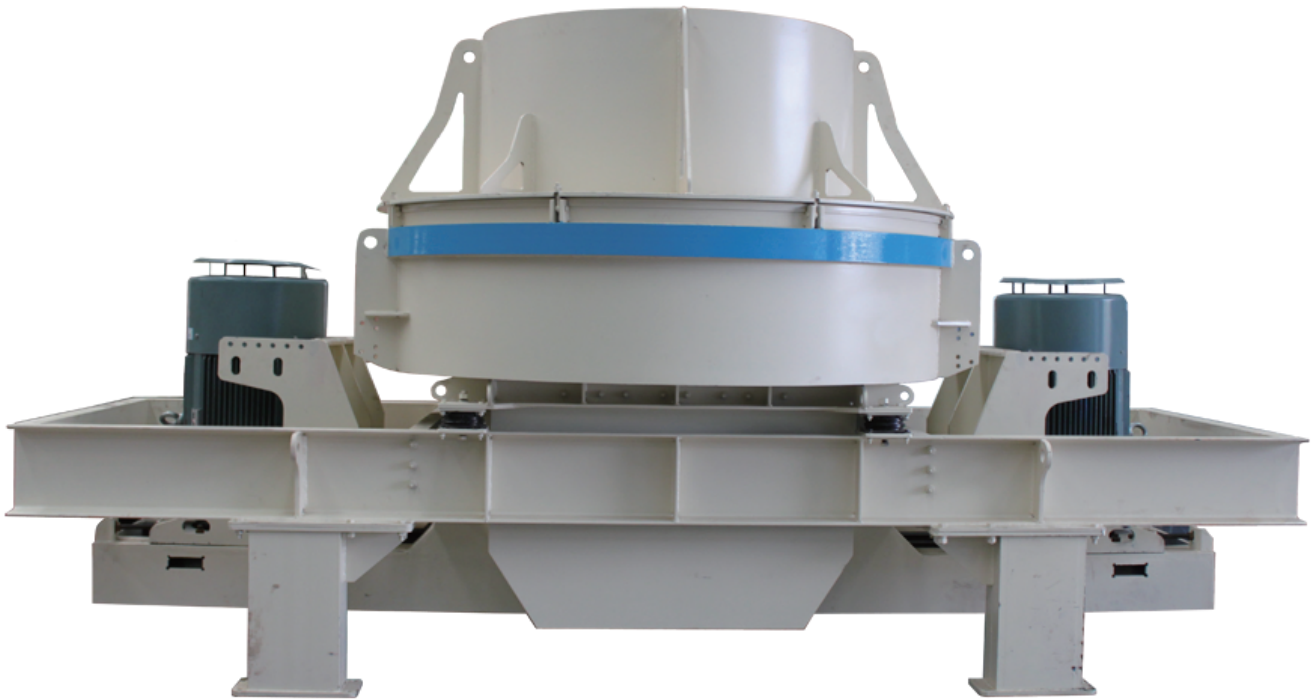




山美

## VERTICAL SHAFT IMPACT CRUSHER(SAND MAKER)



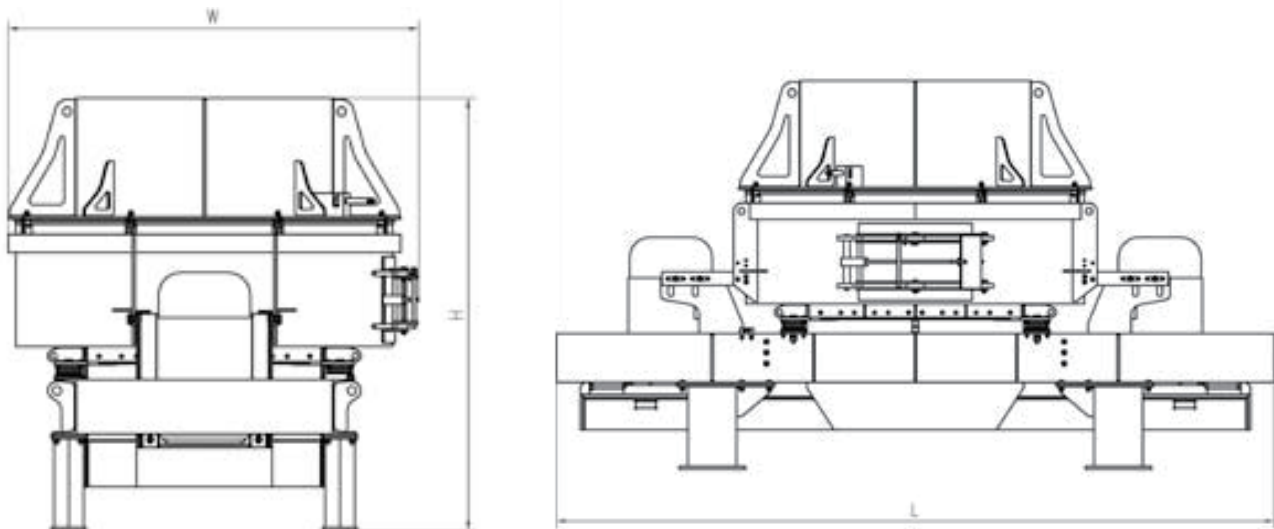
### Features and Benefits:

- 1.High production of crushing ,has the function of fine crushing and rough grinding;
- 2.Simple structure,easy to set up and repair,low cost in operation.
- 3.Excellent shape of product, mainly the product shape is cubic with small fraction of elongated flaky particle shape, suitable for aggregate shaping, manufactured sand.

## Vertical Shaft Impact Crusher(Sand maker)

VSI Series Vertical Shaft Impact Crusher, which is high-functioned equipment for making sand and shaping, is researched and produced by our corporation, absorbed with the advanced technology from Germany, and owned advanced world standards. This equipment has two types: rock-on-rock and rock-on-iron.

### Clearance Dimensions



### Technical Data

型号 Model	最大入料粒度 Max Feed Size(mm)	叶轮转速 Speed of Rotor(r/min)	通过量 Capacity(t/h)	电机功率 Motor Power(kw)	外形尺寸 Dimensions(LxWxH)(mm)	重量 Weight(kg)
VSI-3000	45(70)	1700-2000	30-60	75-90	3080×1716×2126	≤5310
VSI-4000	55(70)	1400-1620	50-90	110-150	4100×1916×2166	≤7840
VSI-5000	65(80)	1330-1530	80-150	180-220	4300×2215×2427	≤11200
VSI-6000	70(100)	1200-1400	120-250	264-320	5300×2728×2773	≤14590
VSI-7000	70(100)	1000-1200	180-350	320-400	5300×2728×2863	≤16580
VSI-8000	80(150)	1000-1100	250-380	400-440	6000×3000×3420	≤23450
VSI-9000	80(150)	1000-1100	380-600	440-630	6000×3022×3425	≤23980

Note: The capacity in the chart is the total weight in open-cycle production when the material density is  $1.6 \times 10^3 \text{kg/m}^3$  and is relevant to the physical property, feeding method, feeding size and component of the material.

### Working Principle:

Material falls down to impeller cavity. Under great centrifugal force, it hits material that is flowing around the impeller as an umbrella. After hitting each other, they force a vortex between impeller and shell and hit each other for several times, and finally smaller stone comes out and forms closed cycle. The required end product shape is controlled by the screen equipment.

### Features and Benefits

- ⊙ High production of crushing, has the function of fine crushing and rough frinding.
- ⊙ Simple structure, easy to set up and repair, low cost in operation
- ⊙ Excellent shape of product, mainly the product shape is cubic with small fraction of elongated flaky partice shape, suitable for aggregate shaping, manufactured sand.

### Working Principle:

Material falls down to impeller cavity. Under great centrifugal force, it hits material that is flowing around the impeller as an umbrella. After hitting each other, they force a vortex between impeller and shell and hit each other for several times, and finally smaller stone comes out and forms closed cycle. The required end product shape is controlled by the screen equipment.

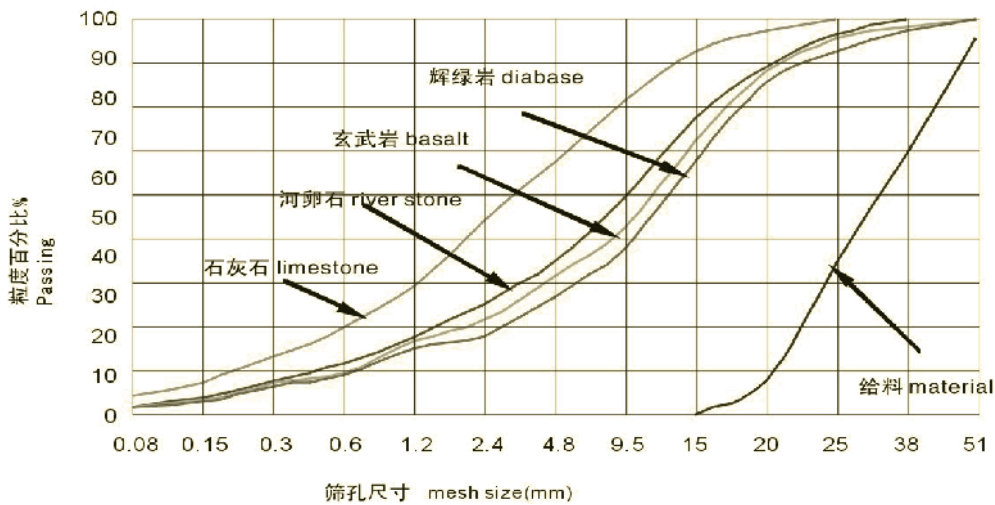
### Features and Benefits

- ⊙ High production of crushing, has the function of fine crushing and rough grinding.
- ⊙ Simple structure, easy to set up and repair, low cost in operation
- ⊙ Excellent shape of product, mainly the product shape is cubic with small fraction of elongated flaky particle shape, suitable for aggregate shaping, manufactured sand.

Product Gradation Table(%passing through square mesh depending on the material)

筛孔 mesh(mm)	排料口 css(mm)	0.08	0.15	0.3	0.6	1.2	2.4	4.8	9.5	15	20	25	38	51
给料 Material										0	9	38	66	100
石灰石 Limestone		3	5	12	15	23	40	70	95	100				
河卵石 River Stone		2.5	4.5	9	13	20	28	37	55	75	88	96	100	
辉绿岩 Diabase		2.3	3.9	8	11	19	24	35	47	69	87	95	98	100
玄武岩 Basalt		2	3.6	7.5	10	17	20	30	42	64	84	92	97	100

### Gradation Curves





SHANGHAI SANME MINING MACHINERY CO.,LTD (GERMANY HAZEMAG JV COMPANY)

Head Office

Tel: +86 21 58202968 +86 21 58206909

Fax: +86 21 58200089

Email: sales@sanmecrusher.com

Address: No.899 Dongfang Road,Pudong New District 200122,Shanghai,China

SHANGHAI SANME MINING MACHINERY CO.,LTD