



山美

JAW CRUSHER



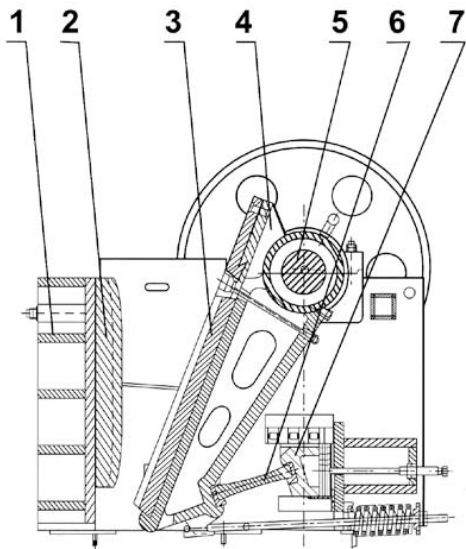
Features and Benefits:

- 1.Simple structure and reliable operation.
- 2.Convenient maintenance and low operation cost.

Jaw Crusher

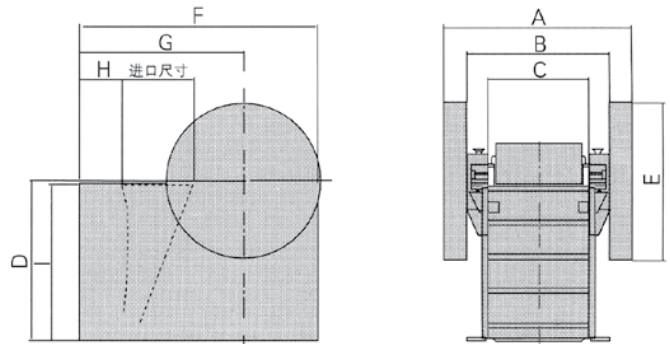
Jaw crusher is one of the most common crushing equipment. It is mainly applied in crushing the material with the compressive strength under 320Mpa. This jaw crusher is usually used in the field of mining, metallurgy, road & railway construction, water conservancy, chemical industry and so on. The jaw crusher of medium and large size designed and manufactured by our company have reached the advanced level with the features of high crushing ratio, high capacity, uniformed product size, simple structure, reliable operation, easy maintenance and low operation cost. PE series is usually used in coarse crushing, and PEX is used in secondary and fine crushing

Structural Drawing



- 1. Frame
- 2. Fixed Jaw plate
- 3. Moveable Jaw
- 4. Eccentric Shaft
- 5. Toggle
- 6. Frame
- 7. Adjusting Toggle Seat

Overall Dimensions



Overall Dimensions(mm)

型号 Model	A	B	C	D	E	F	G	H	I
PE-400×600	1732	1110	636	1105	962	1565	955	255	990
PE-500×750	1916	1256	820	1270	1200	1890	1370	435	1185
PE-600×900	1840	1400	960	1540	1515	2305	1590	390	1505
PE-750×1060	2472	1820	1060	2010	1660	2450	1850	530	1980
PE-800×1060	2556	1780	1060	1970	1660	2610	2010	585	1840
PE-870×1060	2556	1780	1060	1970	1660	2660	2060	585	1840
PE-900×1200	3182	1976	1200	2125	1800	3335	2155	830	2530
PE-1000×1200	3182	1976	1200	2125	1800	3435	2255	830	2530
PE-1200×1500	3732	1780	1620	2700	2285	4200	2940	970	3480
PEX-250×1000	1992	1500	1010	930	900	1530	905	330	850
PEX-250×1200	2192	1700	1220	930	1000	1900	965	365	850
PEX-300×1300	2320	1840	1320	1110	1228	1750	1170	430	930

Note: The capacity in the chart is the total weight in open-cycle production when the material density is $1.6 \times 10^3 \text{kg/m}^3$ and is relevant to the physical property, feeding method, feeding size and component of the material.

Working Principle:

PE/PEX series jaw crusher adopts the electric motor as the power. The eccentric shaft is revolved by an electric motor through v-belts, which causes the swing jaw moving in the preconcerted path to crush the feeding material. Thus the material will be crushed in the crushing chamber which is composed of the stationary jaw plate, swing jaw plate and the liner plate. The material will be discharged from the lower part of machine that is what you want.

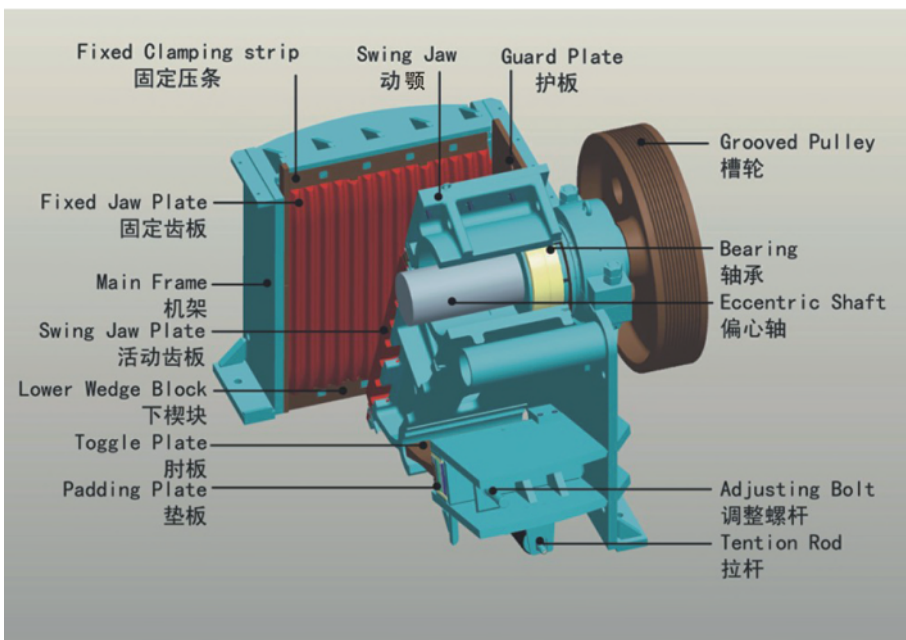
Composition Structure:

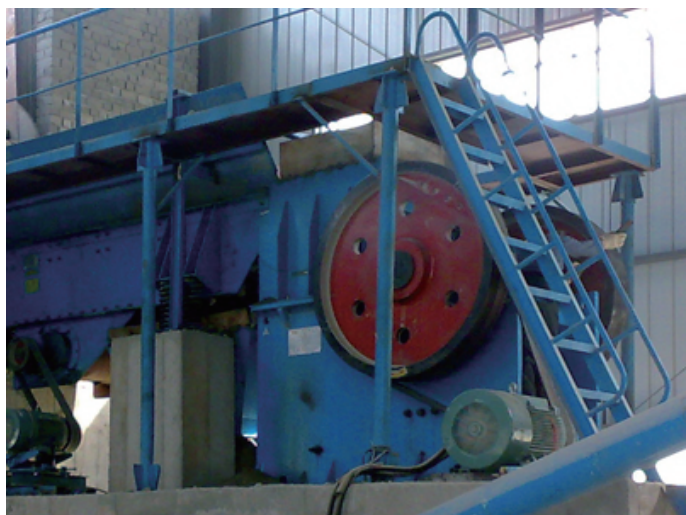
It is made up of frame, eccentric shaft, grooved wheel, flywheel, moving jaw, side guard plate, toggle plate, toggle backseat, adjusting screw, returning spring, fixed jaw plate and moving jaw plate. Toggle plate is of safety function.

Features and benefits:

- 1.Simple structure, easy maintenance, reliable performance, low operation cost and large crushing ratio.
- 2.Deep crushing cavity with no dead area, which improves the feeding capacity and output.
- 3.Large crushing ratio and even product size.
- 4.Gasket-type adjustable discharge opening—reliable and convenient, and its big adjusting range ensures the flexibility.
- 5.Reliable lubrication system, convenient spare part replacement and easy maintenance.
- 6.Energy-saving: the stand-alone can reduce the energy consumption by 15-30% while the whole system can save energy by double.
- 7.Large discharge open range, which can meet different customers' requirements.
- 8.Low noise and dust pollution.

Main Components





SHANGHAI SANME MINING MACHINERY CO.,LTD (GERMANY HAZEMAG JV COMPANY)

Head Office

Tel: +86 21 58202968 +86 21 58206909

Fax: +86 21 58200089

Email: sales@sanmecrusher.com

Address: No.899 Dongfang Road,Pudong New District 200122,Shanghai,China